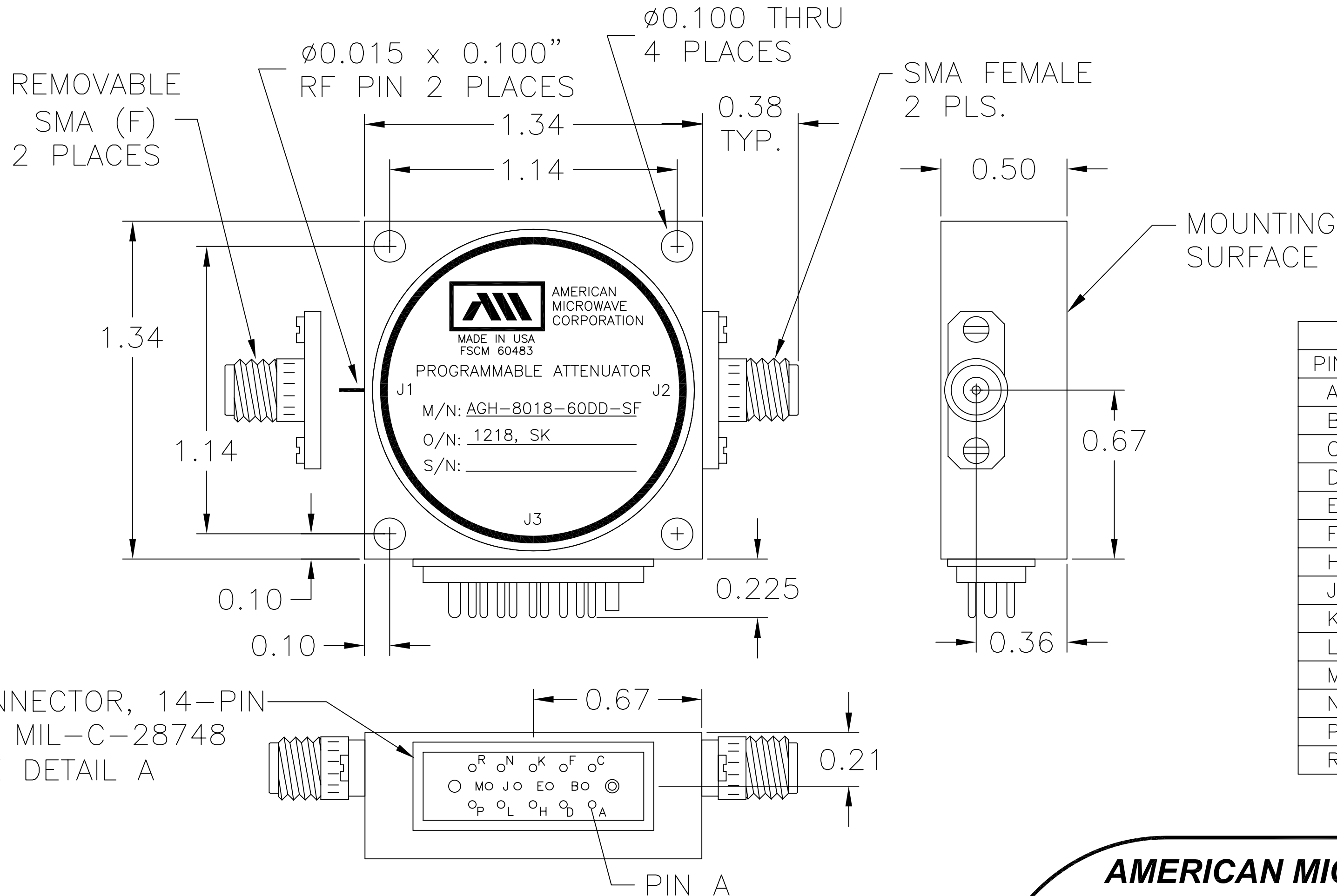


DESCRIPTION

AMC MODEL AGH-8018-60DD-SF OPTION: 1218, SK IS A 12 TO 18 GHz FREQUENCY RANGE, HIGH SPEED VARIABLE ATTENUATOR/MODULATOR, CONTROLLED BY 8 BIT BINARY LOGIC OR DRIVEN BY AN ANALOG POSITIVE VOLTAGE; UNIT IS PACKAGED IN A MINIATURE HERMETIC HOUSING FOR HIGH RELIABILITY APPLICATIONS.

REVISIONS				
ZONE	REV.	DESCRIPTION	DATE	APPROVED
	-	Original Release	05/09/06	



J3 PIN FUNCTION	
PIN	FUNCTION
A	GND
B	Optional Latch En
C	NOT USED
D	0.25dB (LSB)
E	0.5dB
F	1.0dB
H	4.0dB
J	2.0dB
K	16.0dB
L	32.0dB (MSB)
M	+12 TO +15VDC
N	8.0dB
P	GND
R	ANOLOG CONTROL

ALL DIMENSIONS ARE IN INCHES
TOLERANCES:
X.XX ±0.010
X.XXX ±0.005

AMERICAN MICROWAVE CORPORATION

7311-G GROVE ROAD
FREDERICK, MARYLAND 21704 USA
TEL: 301-662-4700 FAX: 301-662-4938
WEBSITE: www.americanmicrowavecorp.com
E-MAIL: sales@americanmicrowavecorp.com
ISO 9001:2000 CERTIFIED



APPROVALS		DATE	TITLE		
DRAWN <i>JK</i>		5/9/06	MECHANICAL OUTLINE AGH-8018-60DD-SF OPTION: 1218, SK 12-18 GHz, HIGH SPEED, VARIABLE ATTENUATOR		
CHECKED			SIZE A	FSCM NO. 60483	DWG NO. 100-7663
ISSUED			SCALE N:S		REV. -
					SHEET 2 OF 3

DESCRIPTION

AMC MODEL AGH-8018-60DD-SF OPTION: 1218, SK IS A 12 TO 18 GHz FREQUENCY RANGE, HIGH SPEED VARIABLE ATTENUATOR/MODULATOR, CONTROLLED BY 8 BIT BINARY LOGIC OR DRIVEN BY AN ANALOG POSITIVE VOLTAGE; UNIT IS PACKAGED IN A MINIATURE HERMETIC HOUSING FOR HIGH RELIABILITY APPLICATIONS.

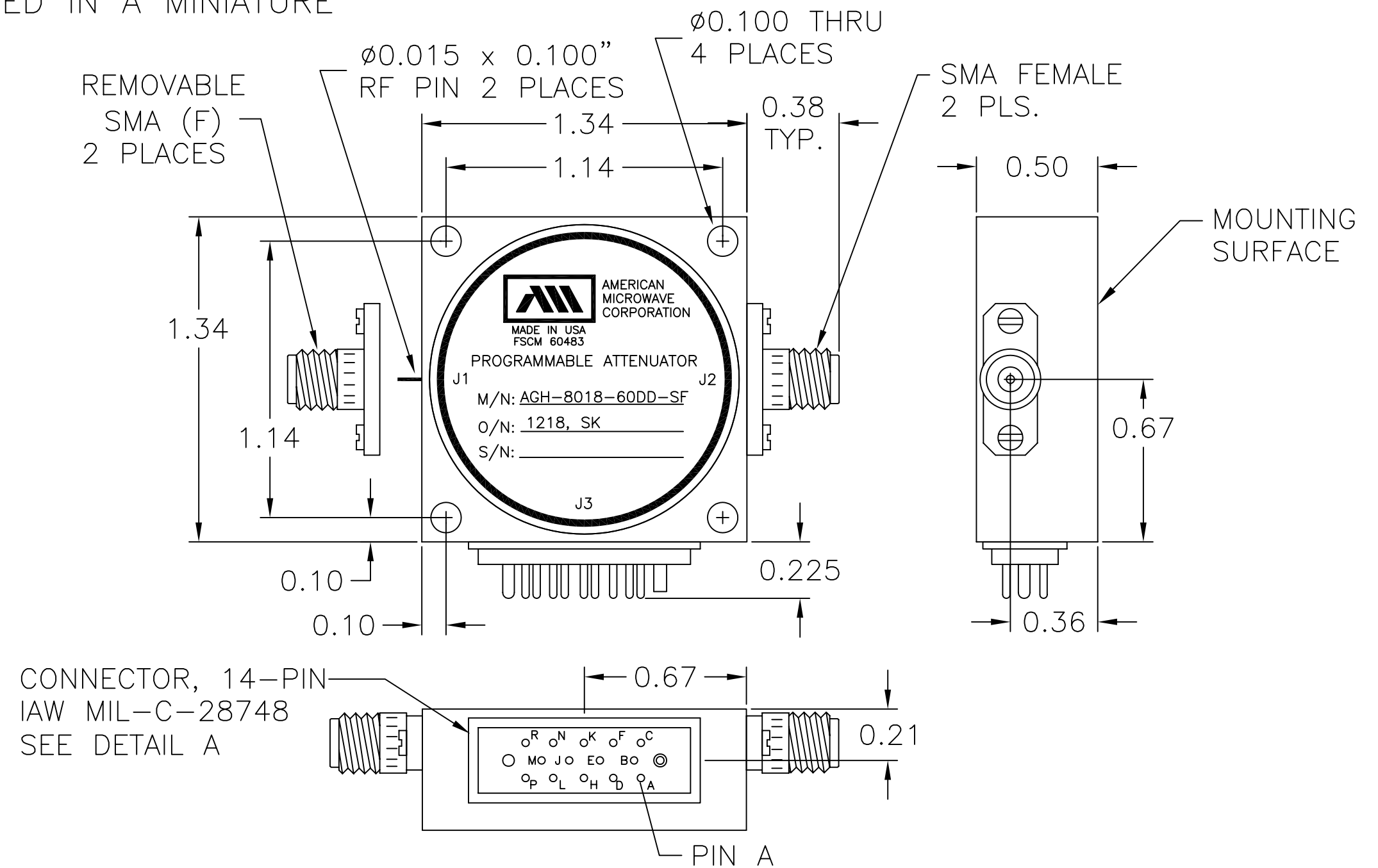
SPECIFICATIONS

- FREQUENCY RANGE: 12 TO 18 GHz
- INSERTION LOSS: 3.7 dB MAXIMUM
- ATTENUATION FLATNESS:
 - @ 10 dB = ± 0.7 dB
 - @ 20 dB = ± 1.0 dB
 - @ 40 dB = ± 1.5 dB
 - @ 60 dB = ± 1.6 dB
- ATTENUATION ACCURACY:
 - 0-30 dB = ± 0.5 dB
 - 30-50 dB = ± 1.0 dB
 - 50-60 dB = ± 1.5 dB
- MONOTONICITY: GUARANTEED
- TEMPERATURE VARIATION: ± 1dB -10 to 85 deg C Typ
- SWITCHING TIME: 500 nSec MAXIMUM
- VSWR: 1.8:1 MAXIMUM
- POWER RATING: +20 dBm CW OR PEAK
- CONTROL:
 - DIGITAL: 8 BIT TRU BINARY LOGIC, 0.25 dB MINIMUM ATTENUATION STEP
 - ANALOG: 0-6V ANALOG VOLTAGE, 10dB/VOLT
- POWER SUPPLY: +12V TO +15V @ 70 mA MAXIMUM
No negative voltage required
- CONNECTORS:
 - RF INPUT/OUTPUT: FIELD REPLACEABLE SMA (FEMALE)
 - POWER AND CONTROLS: MINIATURE 14 PIN MALE (MIL-C-28748)
MATING CONNECTOR (FEMALE) FURNISHED
- SIZE: 1.34" x 1.34" x 0.50"

OPTIONS

- 1218 12 TO 18 GHz
- SK 2006 NEW DRIVER

REVISIONS				
ZONE	REV.	DESCRIPTION	DATE	APPROVED
	-	Original Release	05/09/06	



ENVIRONMENTAL RATINGS

- TEMPERATURE: -40°C TO +85°C (OPERATING)
-65°C TO +125°C (STORAGE)
- HUMIDITY: MIL-STD-202F, METHOD 103B COND. B
- SHOCK: MIL-STD-202F, METHOD 213B COND. B
- VIBRATION: MIL-STD-202F, METHOD 204D COND. B
- ALTITUDE: MIL-STD-202F, METHOD 105C COND. B
- TEMPERATURE CYCLE: MIL-STD-202F, METHOD 107D COND. A

AMERICAN MICROWAVE CORPORATION

7311-G GROVE ROAD
 FREDERICK, MARYLAND 21704 USA
 TEL: 301-662-4700 FAX: 301-662-4938
 WEBSITE: www.americanmicrowavecorp.com
 E-MAIL: sales@americanmicrowavecorp.com
 ISO 9001:2000 CERTIFIED



APPROVALS		DATE	TITLE			
DRAWN <i>JK</i>		5/9/06	PRODUCT FEATURE AGH-8018-60DD-SF OPTION: 1218, SK 12-18 GHz, HIGH SPEED, VARIABLE ATTENUATOR			
CHECKED			SIZE A	FSCM NO. 60483	DWG NO. 100-7663	REV. -
ISSUED			SCALE N:S	SHEET 1 OF 3		

NOTE: SPECIFICATIONS WILL VARY OVER OPERATING TEMPERATURE
 NOTE: THE ABOVE SPECIFICATIONS ARE SUBJECT TO CHANGE OR REVISION

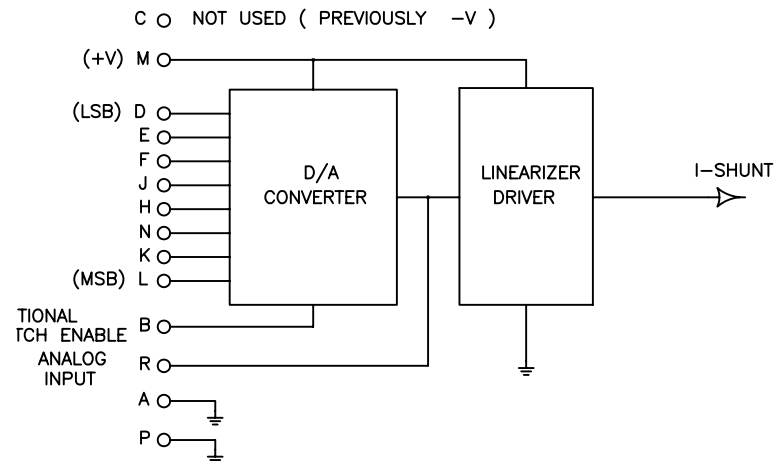
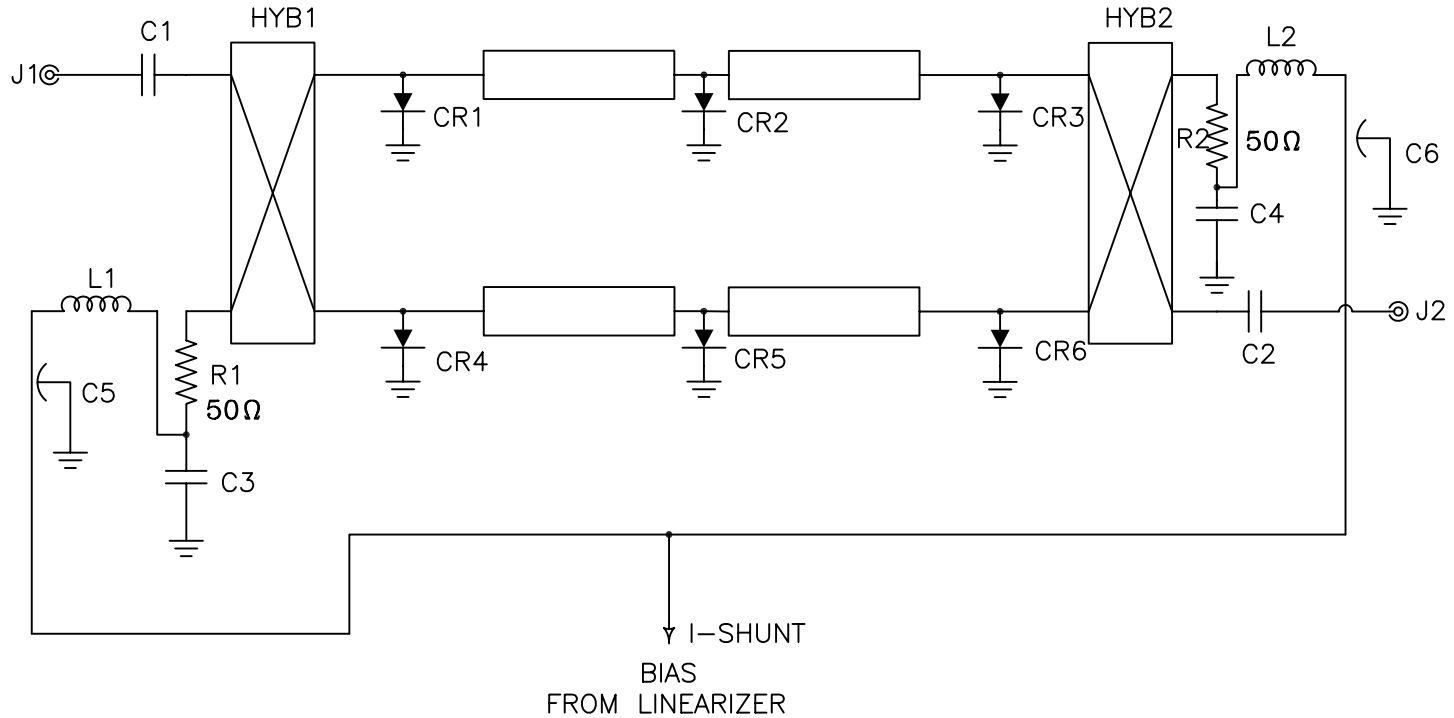
ALL DIMENSIONS ARE IN INCHES
 TOLERANCES:
 X.XX ±0.010
 X.XXX ±0.005

DESCRIPTION

AMC MODEL AGH-8018-60DD-SF OPTION: 1218, SK IS A 12 TO 18 GHz FREQUENCY RANGE, HIGH SPEED VARIABLE ATTENUATOR/MODULATOR, CONTROLLED BY 8 BIT BINARY LOGIC OR DRIVEN BY AN ANALOG POSITIVE VOLTAGE; UNIT IS PACKAGED IN A MINIATURE HERMETIC HOUSING FOR HIGH RELIABILITY APPLICATIONS.

REVISIONS				
ZONE	REV.	DESCRIPTION	DATE	APPROVED
	-	Original Release	05/09/06	

FUNCTIONAL BLOCK DIAGRAM



CONFIDENTIAL AND PROPRIETARY

AMERICAN MICROWAVE CORPORATION

7311-G GROVE ROAD
 FREDERICK, MARYLAND 21704 USA
 TEL: 301-662-4700 FAX: 301-662-4938
 WEBSITE: www.americanmicrowavecorp.com
 E-MAIL: sales@americanmicrowavecorp.com
 ISO 9001:2000 CERTIFIED



APPROVALS		DATE	TITLE			
DRAWN <i>SK</i>		5/9/06	FUNCTIONAL BLOCK DIAGRAM AGH-8018-60DD-SF OPTION: 1218			
CHECKED			12-18 GHz, HIGH SPEED, VARIABLE ATTENUATOR			
ISSUED			SIZE A	FSCM NO. 60483	DWG NO. 100-7663	REV. -
SCALE N:S			SHEET 3 OF 3			